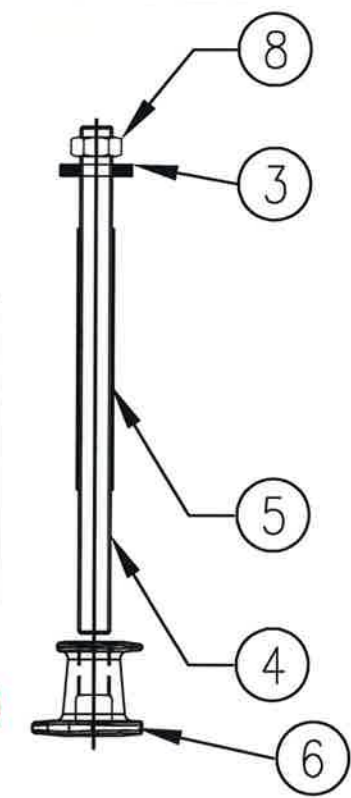


2x4 CONTROLLED TENSION ANCHORS PER ELEMENT

METALLIC ELEMENTS  
998

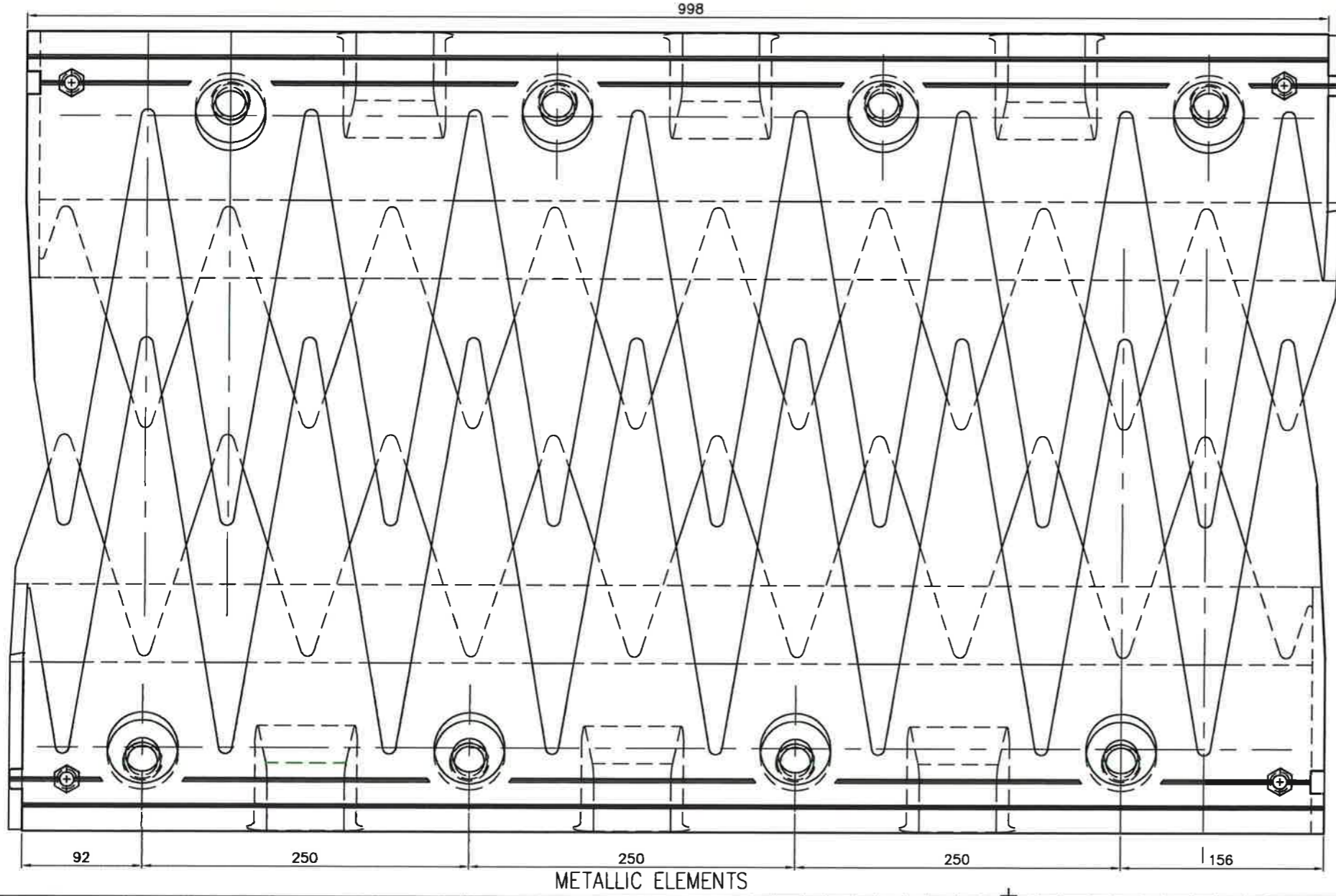
INSTALLATION HANDBOOK  
EXPANSION JOINT  
N° J-WD000-PR-A-001

8	NUT M22
7	DRAIN Ø20
6	CAST IRON SOCKET M22
5	SHEATH Ø25 TH.=1,2mm LG.=165mm
4	THREADED ROD Ø22 LG.=300mm
3	WASHER M22 Ø50 TH.:8mm
2	ELASTOMERIC PROFILE WD 320
1	METALLIC ELEMENT WD 320
REP	DESIGNATION



FOR EXECUTION  
-FEX-

SCALE 1:2



A				15.07.15	Wd/AMG	AMT	PSM	PREMIERE DIFFUSION / FIRST ISSUE
INDICE	DATE	DESSINE	VERIFIE	APPROUVE	MODIFICATIONS			
REV.		DRAWN	CHECKED	APPROVED				
MATIERE		TRAITEMENT		MASSE / MASS (kg)				
MATERIAL		TREATMENT						
AFFAIRE				EXPANSION JOINT				NUMERO
PROJECT				Wd				R00-902A1
DOSSIER								NUMERO
FILE								
DESIGNATION				Wd 320 TYPICAL CROSS VIEW				
DESIGNATION								
FREYSSINET INTERNATIONAL & COMPAGNE				FORMAT/SCALE		ECHELLE/SCALE		
300 RUE IMPERIEUR BORDOISE TEL : (33) 1 47 78 75 75				A1				
BOULEVARD MICHEL MATHON CREEP TEL : (33) 1 47 78 75 82				INDEX/REV.		STATUT/STATUS		
FRANCE				J19311		A FEX		
REPRODUCTION ET MODIFICATION INTERDITES / COPYRIGHT & MODIFICATION RESERVED								