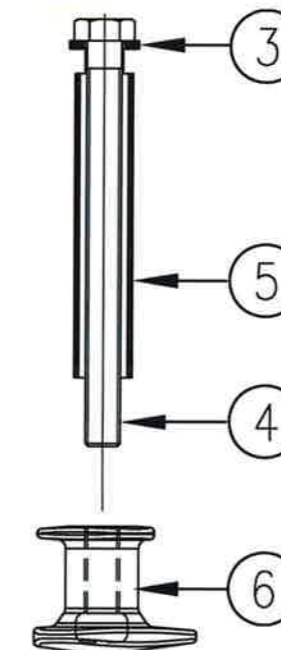
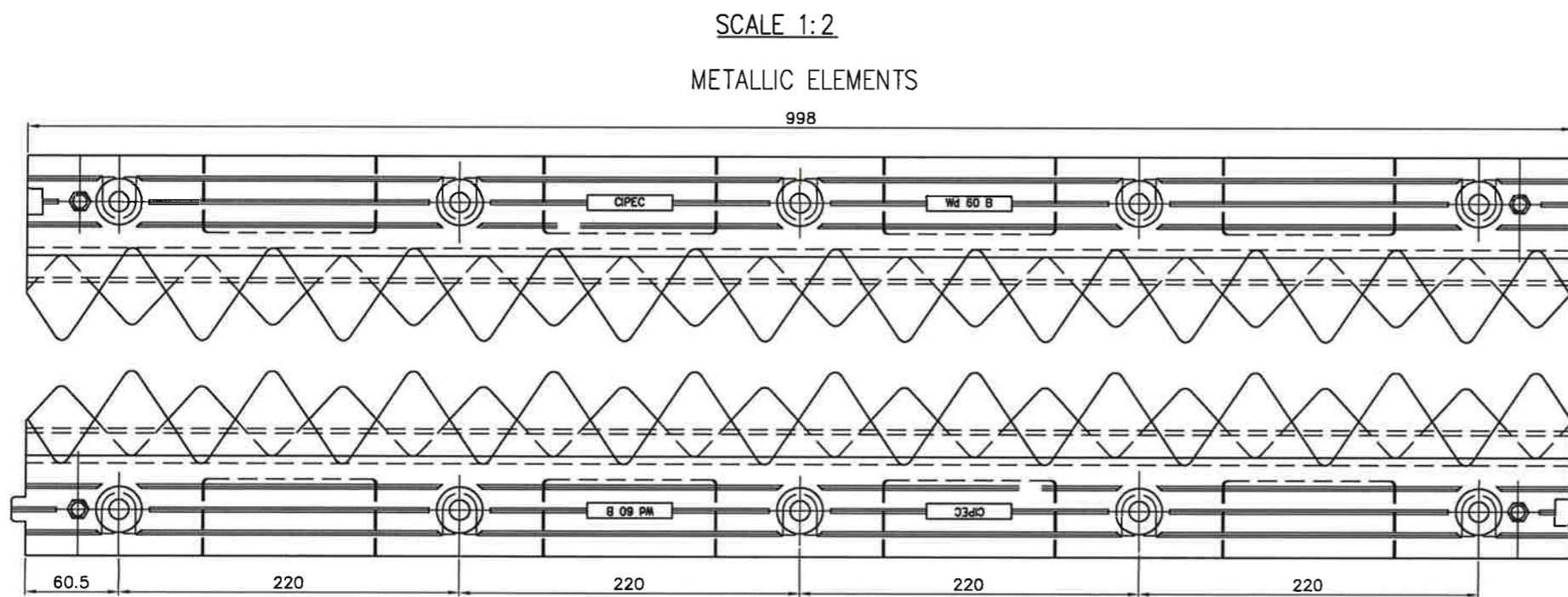


2x5 CONTROLLED
TENSION ANCHORS PER ELEMENT



INSTALLATION HANDBOOK
EXPANSION JOINT
N° J-WD000-PR-A-001

7	DRAIN $\varnothing 20$
6	CAST IRON SOCKET M12
5	SHEATH $\varnothing 20$ TH.=1,6mm LG.=105mm
4	SCREW H M12 LG.=140mm
3	WASHER M12 $\varnothing 24$ TH.=2,8mm
2	ELASTOMERIC PROFILE WD 60
1	METALLIC ELEMENT WD 60
REP	DESIGNATION



METALLIC ELEMENTS

FOR EXECUTION
-FEX-

B	15.07.15	MINI	CON	PSH	MISE A JOUR / UPDATE
A	20.06.12	MINI	RMN	CON	PREMIERE DIFFUSION / FIRST ISSUE
INDICE REV.	DATE	DESSINE DRAWN	VERIFIE CHECKED	APPROUVE APPROVED	MODIFICATIONS
MATIERE MATERIAL	TRAITEMENT TREATMENT		MASSE / MASS (kg)		

AFFAIRE PROJECT	EXPANSION JOINT	NUMERO NUMBER	R00-902A1
DOSSIER FILE	Wd	NUMERO NUMBER	
DESIGNATION	Wd 60 TYPICAL CROSS VIEW		
FREYSSINET INTERNATIONAL & COMPAGNE 300 RUE MARCEL BRUNHEIM - TEL : (33) 1 47 36 79 79 10000 NERL (NORMANDE) - FAX : (33) 1 47 36 79 80 FRANCE		FORMAT/SCALE A1	ECHELLE/SCALE -
REPRODUCTION ET MODIFICATION INTERDITES / COPYRIGHT & MODIFICATION RESERVED		J19029	B FEX